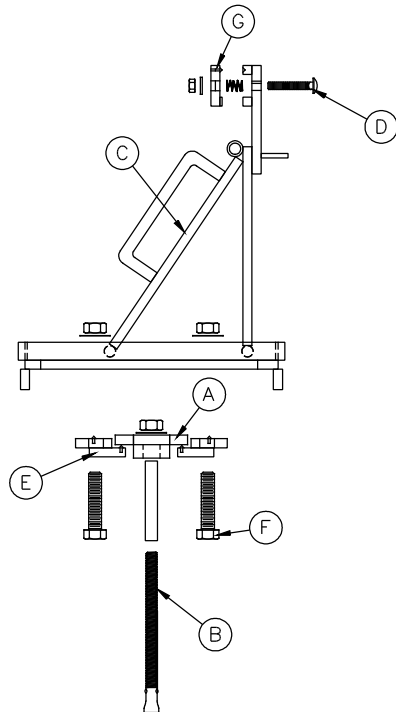
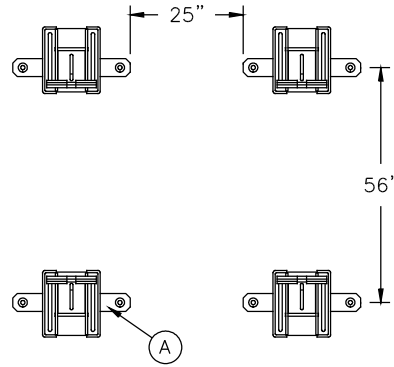


PRODUCT INFORMATION



G94 COLLAPSIBLE CLAMP
FLOOR SYSTEM
catalog# 6030



ITEM	PART #	DESCRIPTION	QTY
A	1471	30" CENTER TRACK	4
B	1500	ANCHOR BOLT ASSEMBLY	12
C	6040	G94 COLLAPSIBLE CLAMP (set of 4)	1
D	6050	PINCHWELD BOLT ASSEMBLY (set of 16)	1
E	6031	TRACK TIE-DOWN ASSEMBLY	16
F	9999	3/4" x 3" BOLT ASSEMBLY	16
G	4216	BAR w/NAILS	8