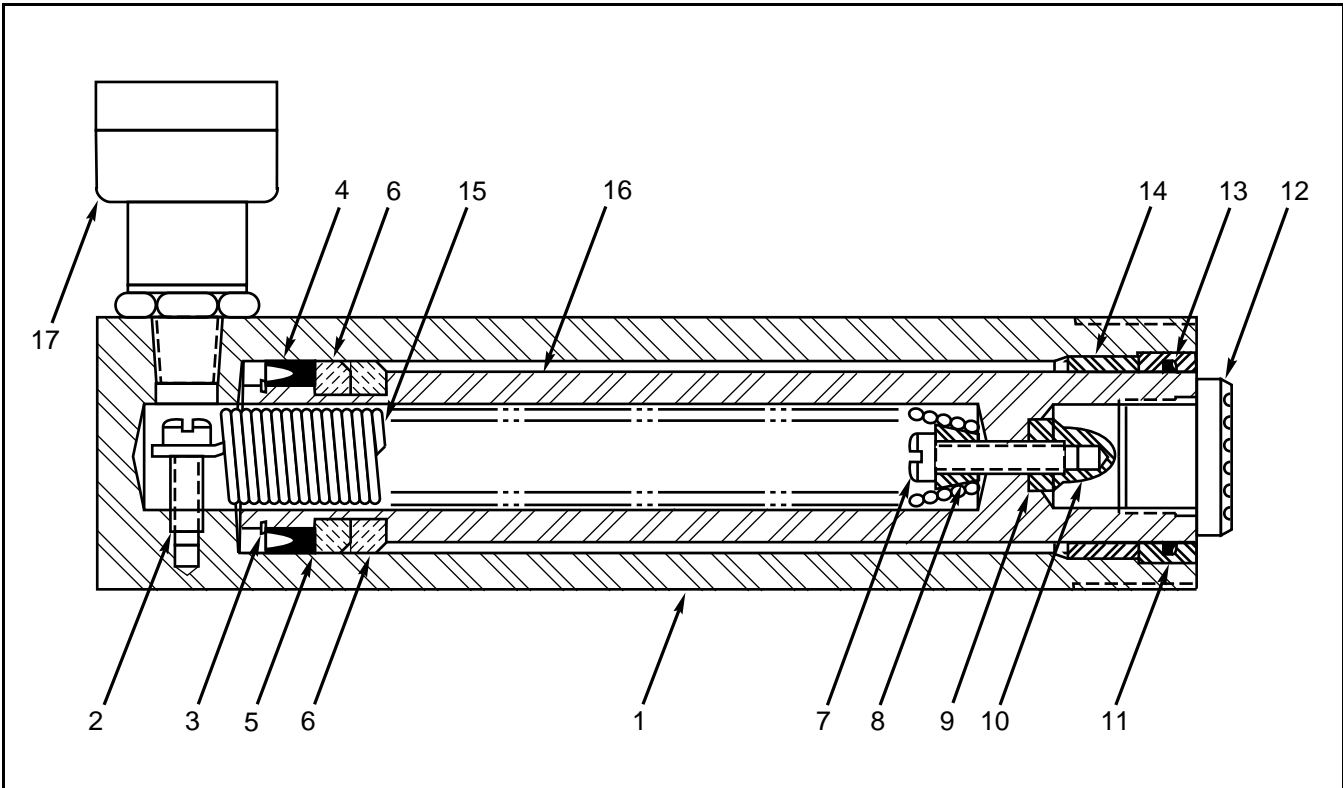


L-653
 REV. B
 11/94
 PC 4210

Models RC-104, RC-106 & RC-1010 With Date Code Beginning With "A"
 Model RC-101 With Date Code Beginning With "B"
 Model RC-102 With Date Code Beginning With "C"
 Models RC-108, RC-1012 & RC-1014 With Date Code Beginning With "D"

**ENERPAC RECOMMENDS THAT ALL KIT COMPONENTS BE INSTALLED
 TO INSURE OPTIMUM PERFORMANCE OF THE REPAIRED CYLINDER**



- Note:** Rod bearings (Item 6) to be assembled with splits staggered 90° apart.
- Note:** Models RC-101, RC-102 and RC-104 do not have a Bushing, Gasket, Acorn Nut or Bearing Sleeve due to their lower stroke. These models have only one set of Rod Bearings.

SPECIFICATIONS								
Description	RC-101	RC-102	RC-104	RC-106	RC-108	RC-1010	RC-1012	RC-1014
Rated Capacity	10 Ton	10 Ton	10 Ton	10 Ton	10 Ton	10 Ton	10 Ton	10 Ton
Plunger Stroke	1 Inch	2½ Inch	4½ Inch	6½ Inch	8½ Inch	10¼ Inch	12 Inch	14 Inch
Hydraulic Pressure	10,000 PSI	10,000 PSI	10,000 PSI	10,000 PSI	10,000 PSI	10,000 PSI	10,000 PSI	10,000 PSI

TO PROTECT YOUR WARRANTY, USE ONLY ENERPAC HYDRAULIC OIL

REPAIR PARTS LIST

Item No.	Part Number								Qty.	Description
	RC-101	RC-102	RC-104	RC-106	RC-108	RC-1010	RC-1012	RC-1014		
1	M701005	G469005	CB424030	G837005	CF374030	G829005	CF373030	CF372030	1	Base
2	G836028	G836028	G836028	G836028	G836028	G836028	G836028	G836028	1	Screw
3	★C611049	★C611049	★C611049	★C611049	★C611049	★C611049	★C611049	★C611049	1	Retaining Ring
4	★CB663041	★CB663041	★CB663041	★CB663041	★CB663041	★CB663041	★CB663041	★CB663041	1	U-Cup
5	★G384108	★G384108	★G384108	★G384108	★G384108	★G384108	★G384108	★G384108	1	Washer
6	G382107	G382107	G382107	G382107	G382107	G382107	G382107	G382107	2	Rod Bearing
7	DA2286028	DA2286028	DA2286028	B1014028	B1014028	B1014028	B1014028	B1014028	1	Screw
8	F948209	F948209	F948209	F948209	F948209	1	Bushing
9	★G834167	★G834167	★G834167	★G834167	★G834167	1	Gasket
10	G833055	G833055	G833055	G833055	G833055	1	Acorn Nut
11	G385044	G385044	G385044	G385044	G385044	G385044	G385044	G385044	1	Bearing Stop Ring
12	A102G	A102G	A102G	A102G	A102G	A102G	A102G	1	Saddle Assembly
13	★G416044	★G416044	★G416044	★G416044	★G416044	★G416044	★G416044	★G416044	1	Wiper
14	G831446	G831446	G831446	G831446	G831446	1	Bearing Sleeve
15	L202110	L202110	CB425110	F937110	CF289110	F938110	CF290110	L119110	1	Spring
16	DA2276040	DA2283040	DA2284040	G838040	CF371040	G830040	CF370040	CF369040	1	Plunger
17	CR-400	CR-400	CR-400	CR-400	CR-400	CR-400	CR-400	CR-400	1	Half Coupler
—	★	★	★	★	★	★	★	★	1	Decal (Not Shown)
—	CD-411	CD-411	CD-411	CD-411	CD-411	CD-411	CD-411	CD-411	1	Dust Cap (Not Shown)
—	R28271	R28271	R28271	R28271	R28271	R28271	R28271	R28271	1	Thread Protector (Not Shown)

★ Starred items are included in and available only as part of Repair Kit RC-102K.

Australia

Enerpac
Block V, Unit 3
Regents Park Estate
391 Park Road
Regents Park NSW 2143
Tel: (61) (2) 743-8988
Fax: 8232-674-7747

CIS

Applied Power Moscow
Leninski Prospekt 95A
117313 Moscow
Tel: (095) 936 2005
Fax: (095) 936 2005

France

Enerpac
B.P. 200
Parc d'Activités du Moulin
de Massy
91882 Massy Cedex, France
Tel: (33) 1-60 13 68 68
Fax: (33) 1-69 20 37 50

Hongkong

Enerpac
Room No. 907, Workingberg
Commercial Building
41-47 Marble Road, North Point
Tel: (852) 561-6295
Fax: (852) 561-6772

**Latin America
and Caribbean**

Enerpac
13000 West Silver Spring Drive
Butler, Wisconsin 53007
Tel: (414) 781-6600 ext. 263
Fax: (414) 781-5561

Spain

Enerpac
Calle de la Imprenta, 7
Poligono Industrial
28100 Alcobendas, Madrid
Spain
Tel: (34) 1-6611125
Fax: (34) 1-6614789

**Belgium, Holland,
and Luxemburg**

Enerpac B.V.
P.O. Box 269, Storkstraat 25
3900AG Veenendaal
Holland
Tel: (0318) 535911
Fax: (0318) 525613 or 526645

**Eastern Europe and
Other European
Countries,
Middle East,
and Africa**

Enerpac
47, avenue Blanc
P.O. Box 67, CH-1211
Geneva 21, Switzerland
Tel: (41) 22-731 94 05
Telex: 412843
Fax: (41) 22-731 12 15

Germany

Enerpac
Mündelheimer Weg 51
P.O. Box 300 113
D-40401 Düsseldorf 30
Tel: (49) (221) 41707-0
Telex: 8582790
Fax: (49) (211) 4170740

India

Enerpac
Hydraulic Technology (India) Pvt
Ltd
203 Vardhaman Chamber
Plot #84, Sector 17
Vashi, New Bombay 400 705
Maharashtra
Tel: 91-22-7631062
Fax: 91-22-7670309

Mexico

Enerpac
Blvd. Gral. Felipe Angeles 1604
P.O. Box 362
Pachuca, Hidalgo 42080
Mexico
Tel: (52) 771 3-3700
Fax: (52) 771 3-1196 or
(52) 771 8-3800

United Kingdom

Enerpac
Leacon Road
Ashford, Kent
TN23 4TU
England
Tel: 44-1233-639871
Telex: 966 450
Fax: 44-1233-643923

Canada

Enerpac
13000 West Silver Spring Drive
Butler, Wisconsin 53007, USA
Tel: (800) 426-4129 User
Tel: (800) 426-2284 Distributor
Fax: (414) 781-1049

Far East

Enerpac
47 Jalan Pemimpin
#01-02 & 01-03
Sin Cheong Building
Singapore 2057
Thomson Road P.O. Box 114
Singapore 9157
Tel: (65) 2581677
Telex: RS24882 APOWR
Fax: (65) 2582847

Italy

Enerpac
Via Anova, 4
20094 Corsico
Milano, Italy
Tel: 39-2-4582741
Fax: 39-2-48601288

Japan

Applied Power Japan
10-17 Sasame
Kita-cho, Toda-Shi
Saitama 335,
Japan
Tel: 81-0484-22-2251
(Administration)
0484-21-2311 (Sales)
Telex: J26275
Fax: 81-0484-22-0596

South Korea

Enerpac
163-12, Dodang-Dong
Wonmi-Ku,
Buchun-Shi, Kyunggi-Do
Republic of Korea
Tel: (82) (32) 6750836
Fax: (82) (32) 6753002

United States

Enerpac
13000 West Silver Spring Drive
Butler, Wisconsin 53007, USA
Tel: (414) 781-6600
1-800-433-2766 (End User)
1-800-558-0530 (Distributor)
Fax: (414) 781-1049



All Enerpac products are guaranteed against defects in workmanship and materials for as long as you own them. Under this guarantee, free repair or replacement will be made to your satisfaction.

For prompt service, contact your Authorized Enerpac Service Center or call toll free:

**In U.S.A. 1-800-558-0530
In Canada 1-800-426-2284**



PRINTED IN U.S.A.