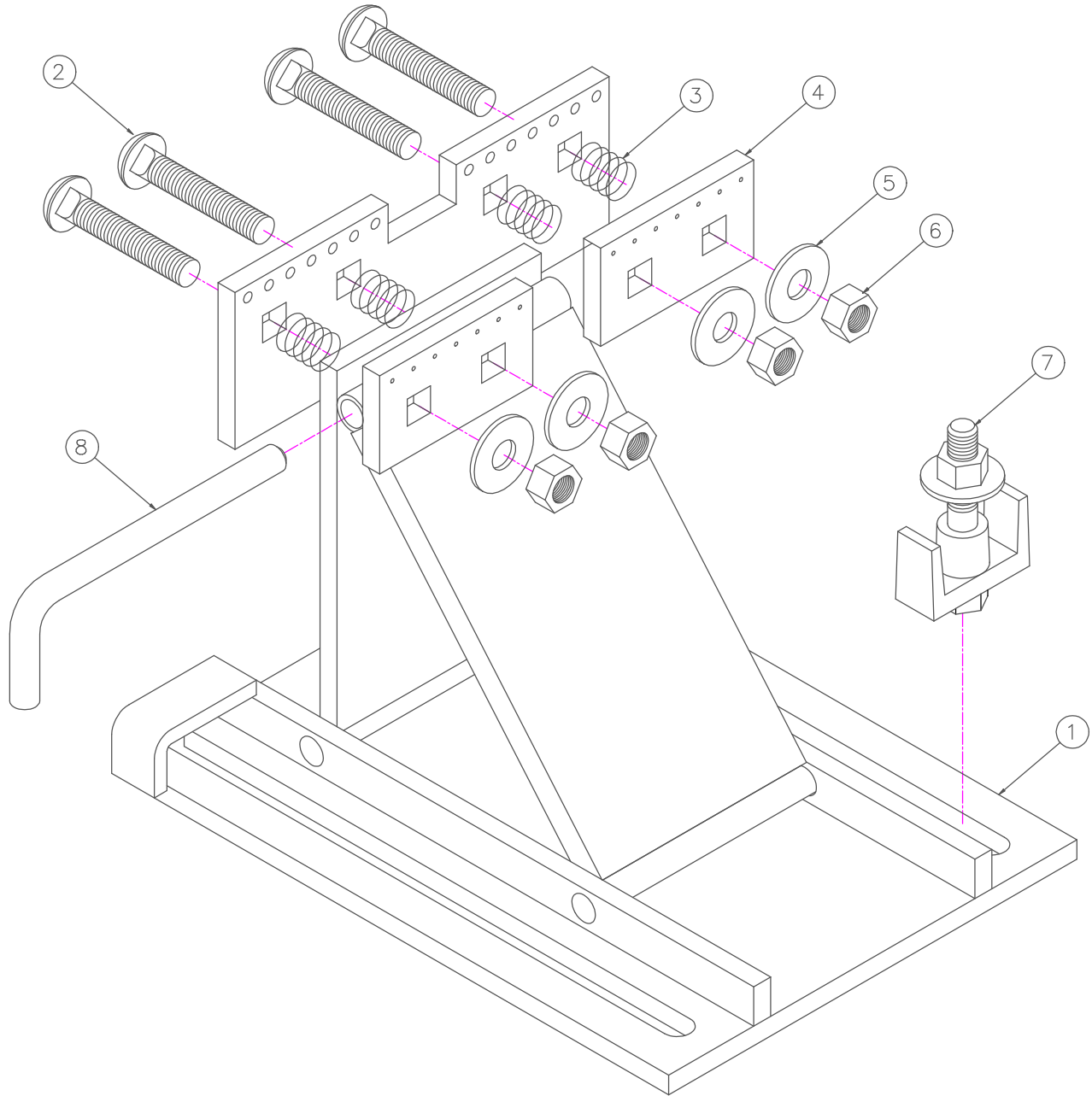


COMPONENTS



COLLAPSIBLE CLAMP  
CATALOG# 2046



REF.	QTY.	PART #	DESCRIPTION	REF.	QTY.	PART #	DESCRIPTION
1	1	2046C	CLAMP BODY	5	4	9904	5/8" FLAT WASHER
2	4	6050A-5/8	CAR. BOLT, 5/8-11 X 2-1/2	6	4	9907	5/8-11 HEX NUT
3	4	6052	SPRING	7	4	4226	WING BOLT ASSY.
4	2	4216	JAW PLATE	8	2	4208	5/8 X 7-1/2 LOCKING PIN